



Time Tested • Time Proven

855286-02 08/14

# Spare Tire Carrier

part number 195225, U.S. patent 8,720,760

## Assembly and operating instructions

All specifications are subject to change without notice.

ROADMASTER, Inc. 6110 NE 127th Ave. Vancouver, WA 98682 800-669-9690 Fax: 360-735-9300 www.roadmasterinc.com

### CAUTION

Read all instructions before assembling or operating this device. Failure to understand how to properly assemble or operate the spare tire carrier could result in extensive property damage or severe personal injury.



### Assembly instructions

#### Tools required

- 9/16" socket wrench
- 15/16" socket wrench
- 1-1/8" socket wrench

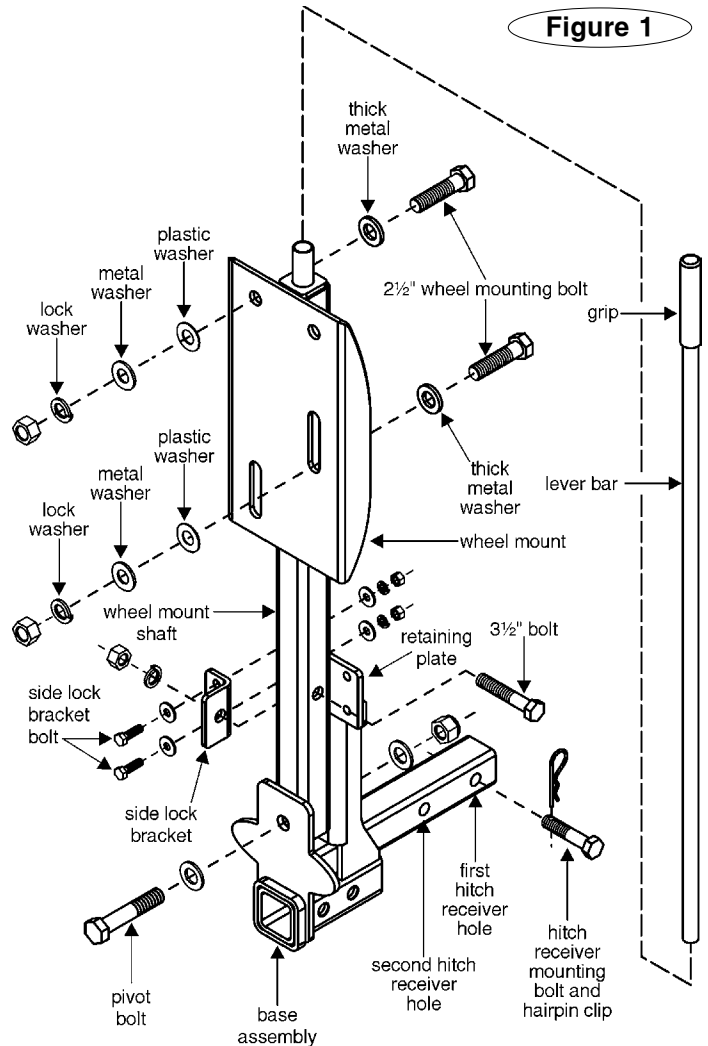
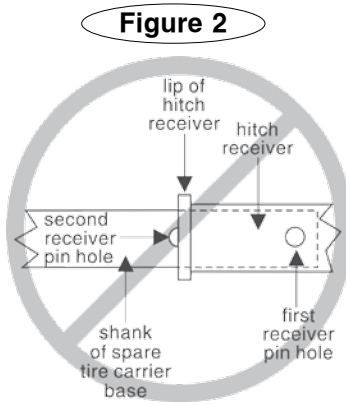
1. Slide the base assembly (Figure 1) into the motorhome hitch receiver until one of the two pre-drilled hitch receiver holes (Figure 1) aligns to the hole in the hitch receiver.

### WARNING

Do not use the spare tire carrier if any part of the second hitch receiver pin hole is over the lip of the hitch receiver, as shown in Figure 2. Over time, this will cause the shank of the spare tire carrier base to break at that point.

If the spare tire carrier cannot be attached in any other way, call ROADMASTER – a base with a single receiver pin hole (part number 195225-10) is available.

Failure to follow these instructions will result in property damage, personal injury or even death.



2. Use the 15/16" socket wrench to attach the hitch receiver mounting bolt (Figure 1). Secure with the hairpin clip.

3. Position the wheel mount (Figure 1) on top of the base assembly as shown in Figure 1.

Attach the pivot bolt – use one of the 3/4" flat washers on both sides and secure the bolt with one of the nylon lock nuts, using the 1-1/8" socket wrench.

### CAUTION

Hold the wheel mount in place until it is secured. The wheel mount is heavy and can cause property damage or severe personal injury if it is allowed to fall.

4. Determine if you want the spare tire carrier to rotate to the left or to the right – it can be rotated in either direction, in order

to lower the spare tire and gain access to rear compartments, the engine or to avoid a ladder.

Attaching the side lock bracket (Figure 1) to the left or right side of the retaining plate (Figure 1) will control which direction the spare tire carrier rotates.

5. Attach the side lock bracket to the retaining plate – align the bracket so the side with the single hole is flush to the wheel mount shaft (Figure 1). Attach the side lock bracket bolts with the 9/16" socket wrench, using the hardware shown in Figure 1. Tighten the bolts until the lock washers are compressed.

Attach the 3 1/2-inch bolt with the 15/16" socket wrench, and tighten until the lock washer is compressed.

Note: if you will be installing a spare tire at this time, do not attach the 3 1/2-inch bolt.

continued on next page

## Spare tire installation

6. Remove the 3½-inch bolt (Figure 1) and swing the spare tire carrier to the ground.

### CAUTION

Be careful when lowering the spare tire carrier. Property damage or severe personal injury can result if it is allowed to fall.

7. Roll the spare tire up to the spare tire carrier.

Align the two bolt holes in the wheel which are most opposite each other to the corresponding hole and slot in the wheel mount.

8. As shown in Figure 1, fasten the plastic washers, metal washers and nylon lock nuts to the 2½-inch tire mounting bolts.

Use the 1-1/8" socket wrench to attach the bolts.

*Note: only the bolts, washers and nuts for larger wheels are provided. The attachment hardware for smaller wheels must be purchased separately.*

9. Insert the lever bar, as shown in Figure 1, and swing the spare tire carrier and the spare tire up to the vertical position.

Secure the wheel mount shaft to the side lock bracket with the 15/16" socket wrench.

### CAUTION

Hold the spare tire carrier in place until the 3½-inch bolt is attached. The carrier and spare tire are heavy and can cause property damage or severe personal injury if they are allowed to fall.

10. Remove the lever bar and store it in the motorhome.

## Maintenance

11. At the beginning of each towing season check to ensure that all fasteners are tight.

### WARNING

Using the spare tire carrier will decrease the weight capacity of the vehicle's hitch receiver by one third. This lowered capacity must still be more than the weight of a towed vehicle or hitch accessory attached to the spare tire carrier.

If it is not, replace the hitch receiver with one that has the appropriate weight capacity. Otherwise, structural failure will occur.

Failure to follow these instructions will result in property damage, personal injury or even death.

### WARNING

The spare tire carrier has a maximum weight capacity of 10,000 pounds. Do not exceed the weight capacity or structural failure will occur.

Failure to follow these instructions will result in property damage, personal injury or even death.

## Safety Definitions

These instructions contain information that is very important to know and understand. This information is provided for **safety** and to **prevent equipment problems**. To help recognize this information, observe the following symbols:

### WARNING

WARNING indicates a potentially hazardous situation which, if not avoided, could result in property damage, serious personal injury or even death.

### CAUTION

CAUTION indicates a potentially hazardous situation which, if not avoided, may result in property damage, or minor or moderate personal injury.

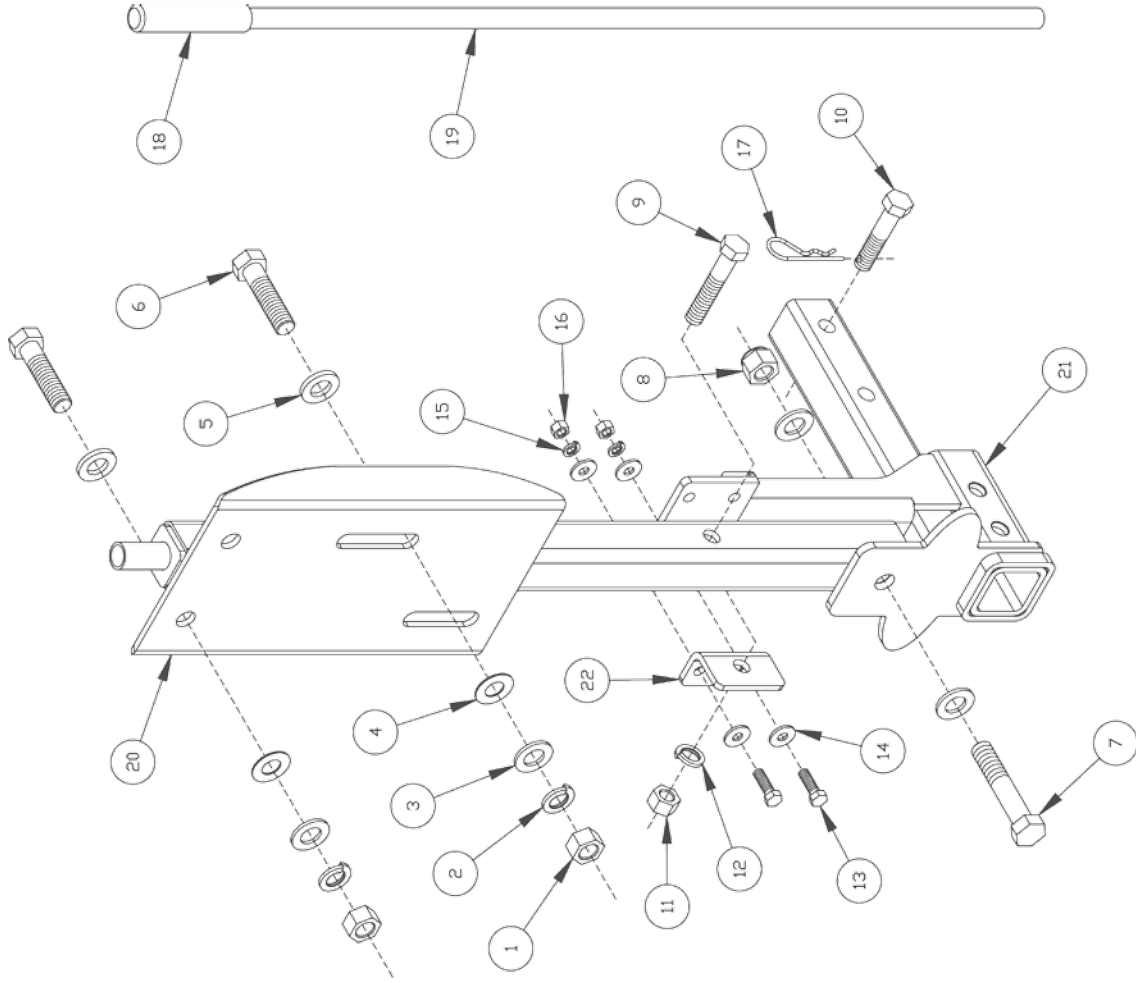
### CAUTION

CAUTION used without the safety alert symbol indicates a potentially hazardous situation which, if not avoided, may result in property damage.

### NOTE

*Refers to important information and is placed in italic type. It is recommended that you take special notice of these items.*

Item	Qty.	Part Number	Description
1	..... 2	350264-00	3/4-10 nut
2	..... 2	350315-00	3/4" lock washer
3	..... 4	350314-20	3/4" SAE flat metal washer
4	..... 2	350358-00	3/4" flat plastic washer
5	..... 2	350314-40	3/4" x 3/16" thick flat metal washer
6	..... 2	350385-00	3/4-10 x 2-1/2" grade 5 wheel mounting bolt
7	..... 1	350185-00	3/4-10 x 4" grade 5 pivot bolt
8	..... 1	350265-00	3/4-10 nylon lock nut
9	..... 1	350163-00	5/8-11 x 3 1/2" grade 5 bolt
10	..... 1	A-004634	5/8-11 x 3" grade 8 hitch receiver mounting bolt
11	..... 1	350262-00	5/8-11 nut
12	..... 1	350313-00	5/8" lock washer
13	..... 2	350056-00	3/8-16 x 1-1/4" grade 5 bolt
14	..... 4	350304-00	3/8" flat washer
15	..... 2	350305-00	3/8" lock washer
16	..... 2	350254-00	3/8-16 nut
17	..... 1	357036-00	hairpin clip
18	..... 1	200085-50	rubber grip
19	..... 1	A-004641	lever bar
20	..... 1	C-002740	wheel mount
21	..... 1	C-002780	base assembly
22	..... 1	B-002696	side lock bracket



— ADVERTISEMENT —

# Towed vehicle protection

Protect your towed vehicle's finish, headlights and windshield against damage with these two ROADMASTER products!



Made in the U.S.A.



## Protect your towed vehicle and RV against dings and rock chips!

The Guardian is crafted from rotationally-molded, high-impact polyethylene to absorb the impact of rocks, gravel and road debris – instead of ricocheting it back at the motorhome.

The Guardian can be attached and removed in seconds, and fits all ROADMASTER tow bars equipped with quick-disconnects. (Note: MX, MS or EZ5 brackets will not accommodate the Guardian.)

The Guardian can also be used with a tow dolly to help protect your towed vehicle by using the Guardian bracket (part number 2000-8).

If you tow more than one vehicle, the second vehicle kit has all the mounting hardware necessary to swap the Guardian from one vehicle to another.



pictured:  
4700 Tow Defender

patent  
pending



## A bumper-to-bumper blanket of protection!

The Tow Defender's all-weather, heavy-duty screen deflects rocks, gravel and road debris down and away, protecting your towed vehicle's finish, headlights and windshield against chips and dings. The vinyl-coated mesh lets air through, keeping it low and over the road.

Fully extended, both Tow Defenders offer 20 square feet of protection, and are held in place with shock-absorbing gas struts. Once you've reached your destination, roll up the Tow Defender, snap the elastic straps around each end, and store it against the motorhome.

- Quick installation and release
- Lightweight and compact – weighs just 14.5 pounds, and rolls up to four inches in diameter
- Powder-coated steel supports and heavy-duty gas struts for maximum durability, support and cornering flexibility

## For maximum protection, use a Tow Defender and a Guardian.

Motorhomes kick up rocks, gravel and road debris, but so does oncoming traffic. A Tow Defender/Guardian combination protects your towed vehicle's finish, headlights and windshield against damage from both lanes.